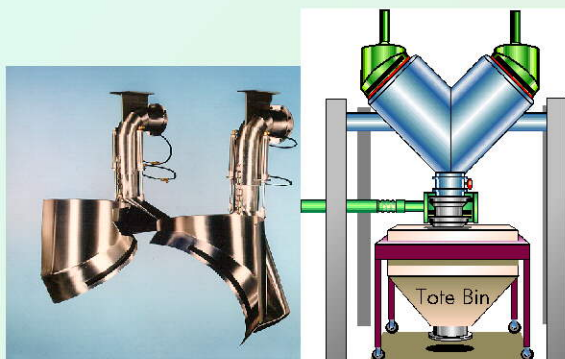
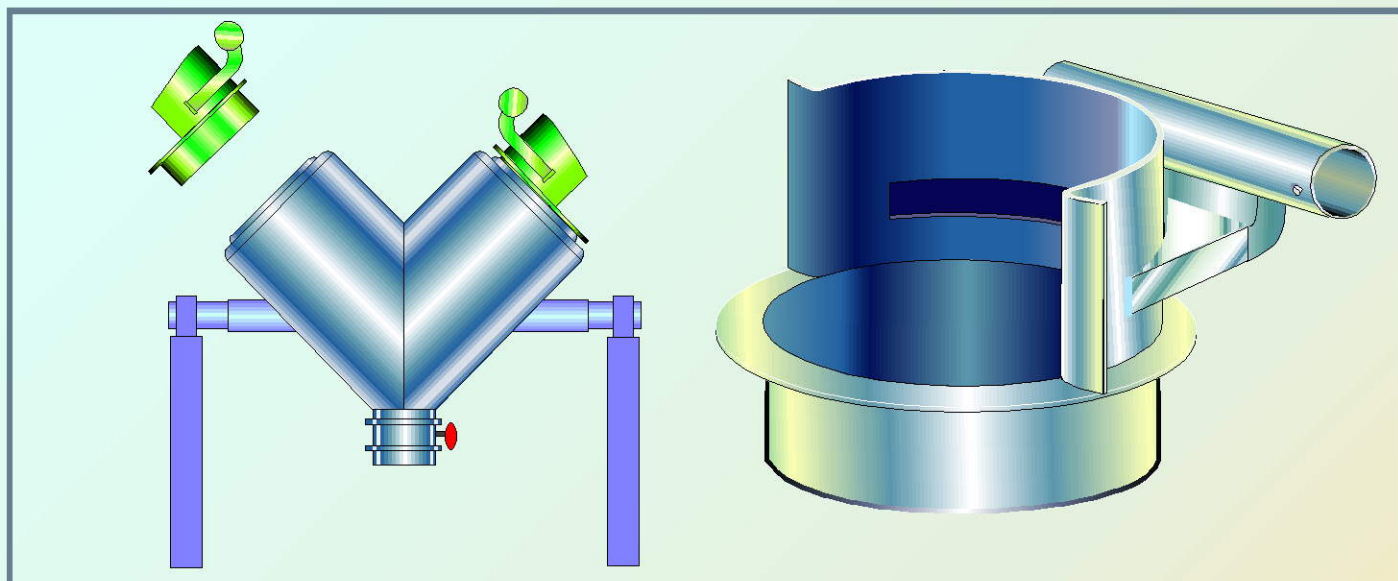


# Kleissler P C, LLC

## V-Blender Dust Control Hoods

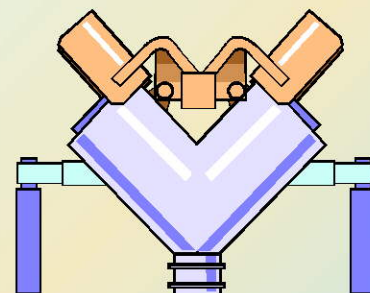


Dust control needed at both ports while discharging blender and dislodging material

Air cylinders automatically move hoods clear of blender when it is in operation

Air Cylinders move hoods into correct exhaust position when blender stops its motion

V Blender discharge dust control hood is also shown in the illustration above



Hood is permanently mounted on V blender

Exhaust slot is located at bottom of plenum so material doesn't build up in the space between the slot and the plenum bottom

Hood is sanitized along with blender when blender is moved on wheels to the washroom

Stainless steel polished to "Scotch Brite"

Visit us at [www.Kleissler-PC.com](http://www.Kleissler-PC.com)